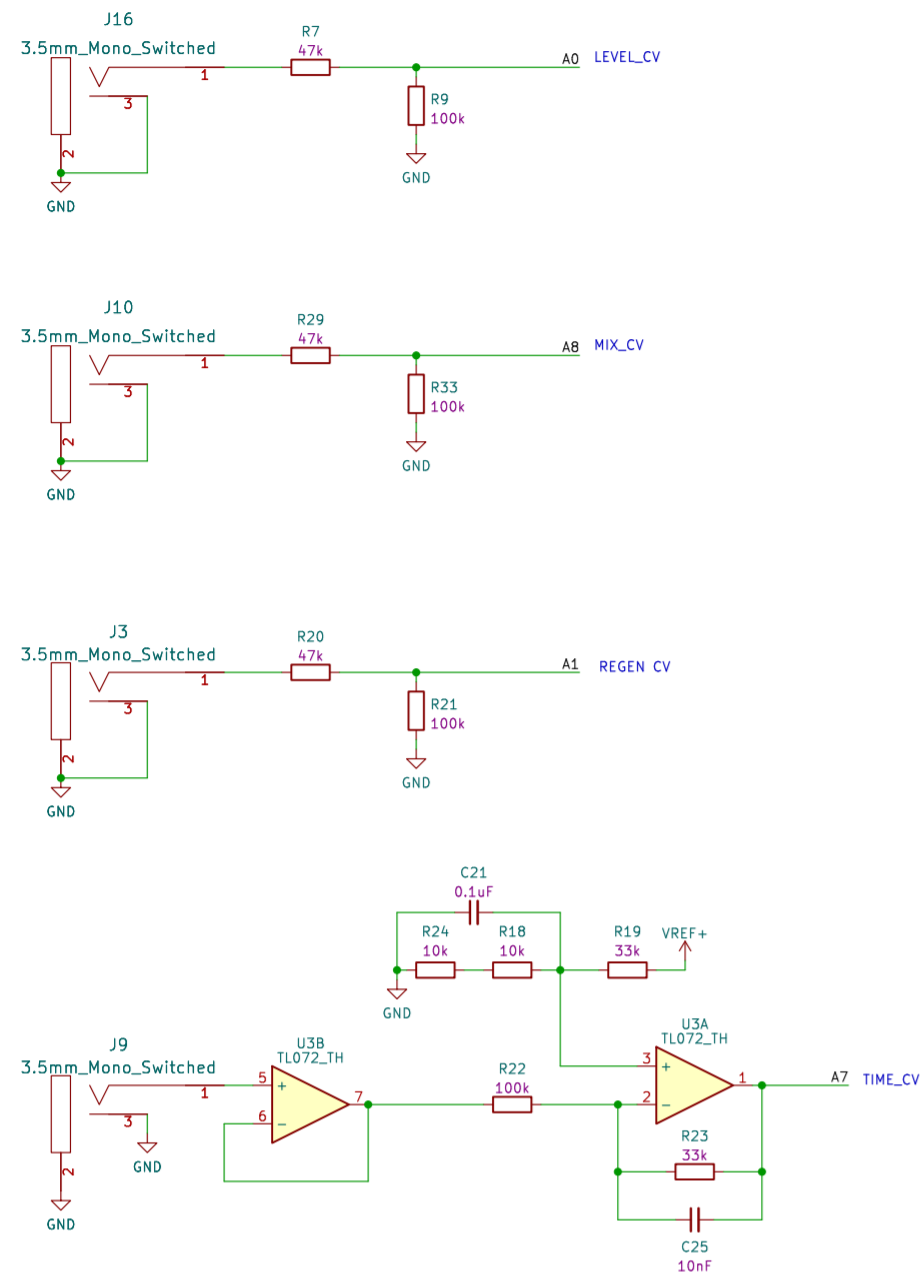
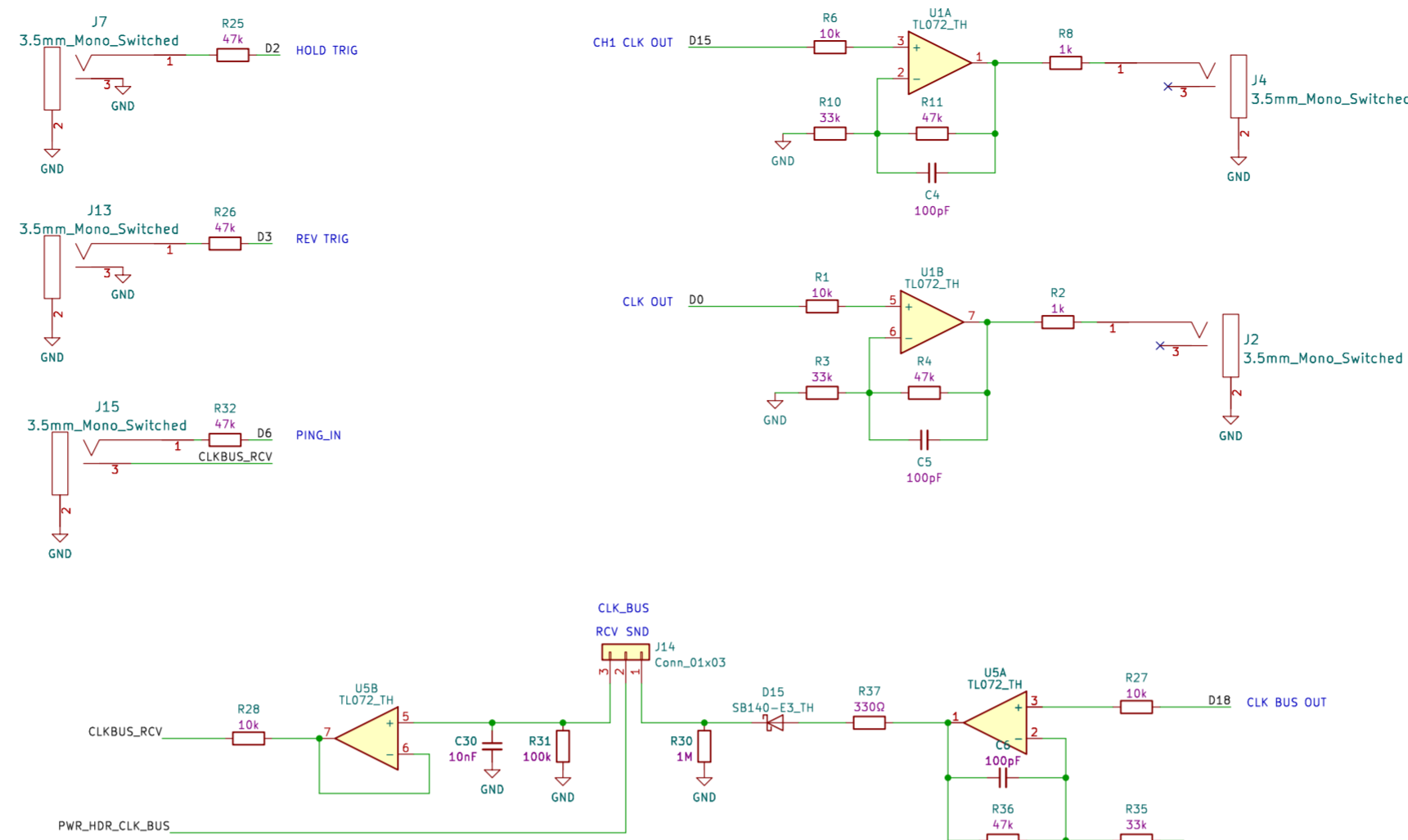


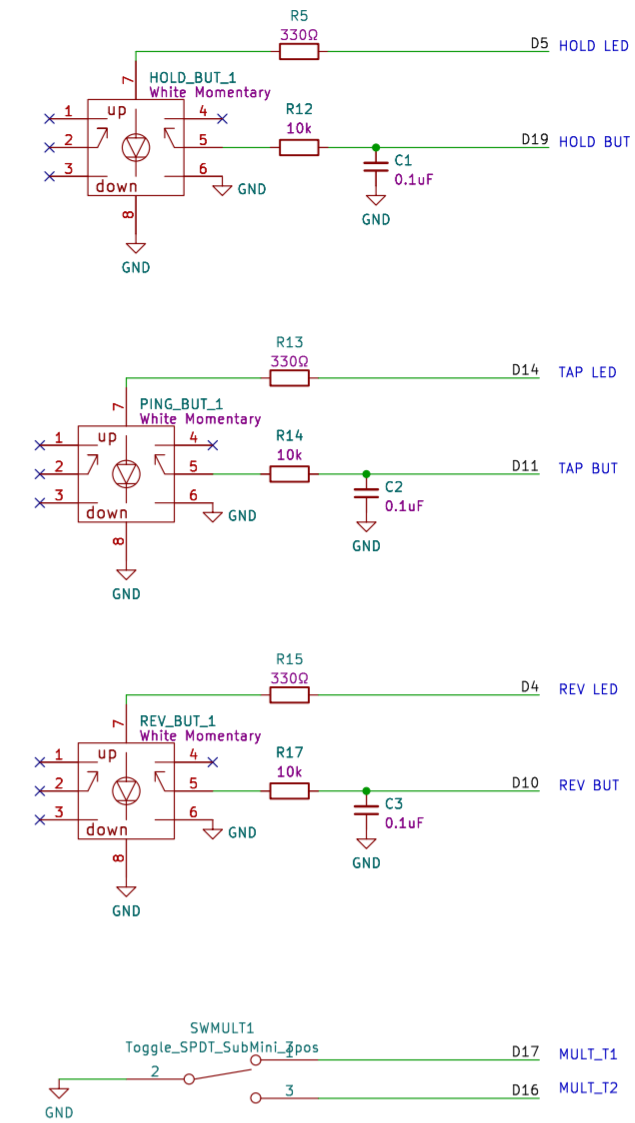
## Analog Inputs



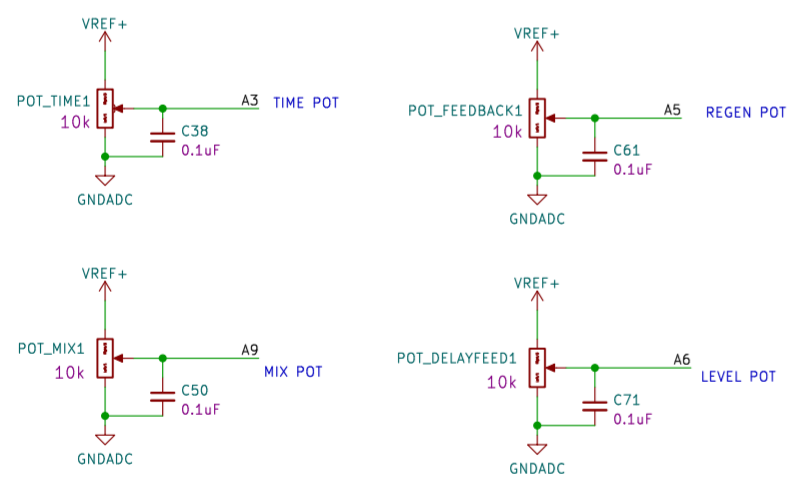
## Digital Ins/Outs



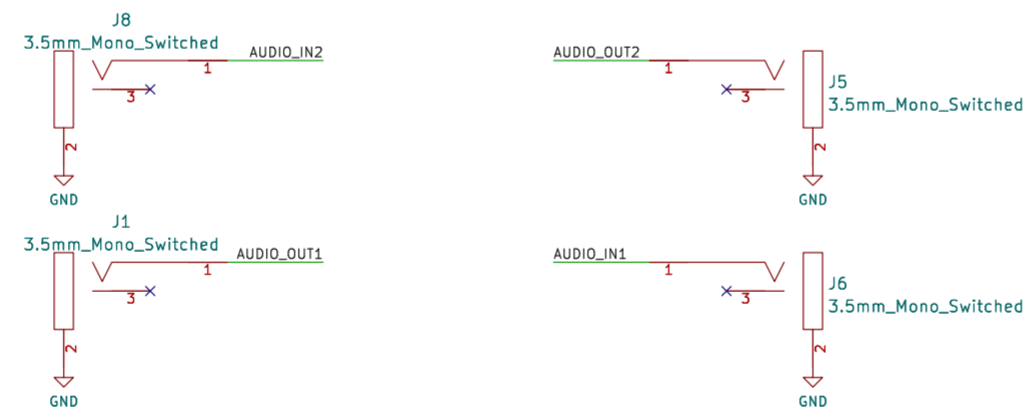
## Buttons/Switches



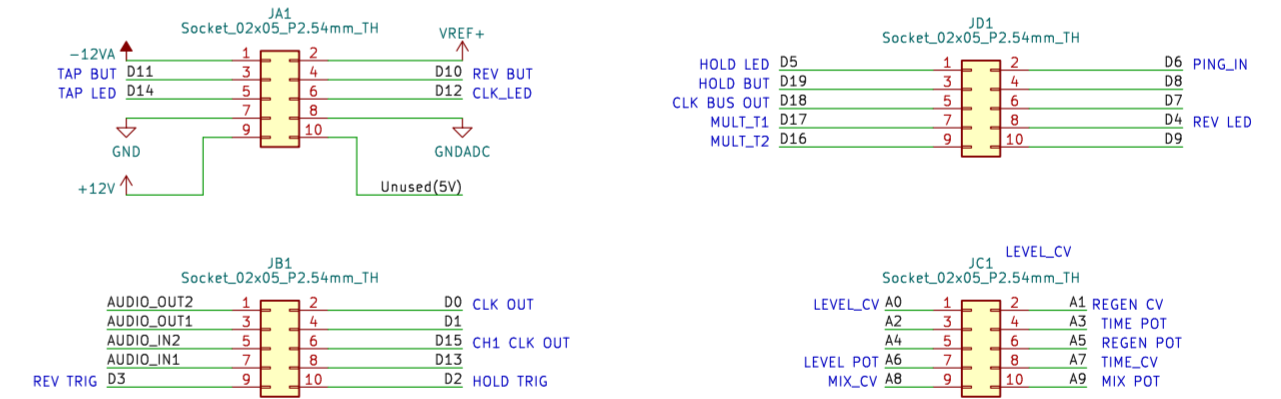
## Pots



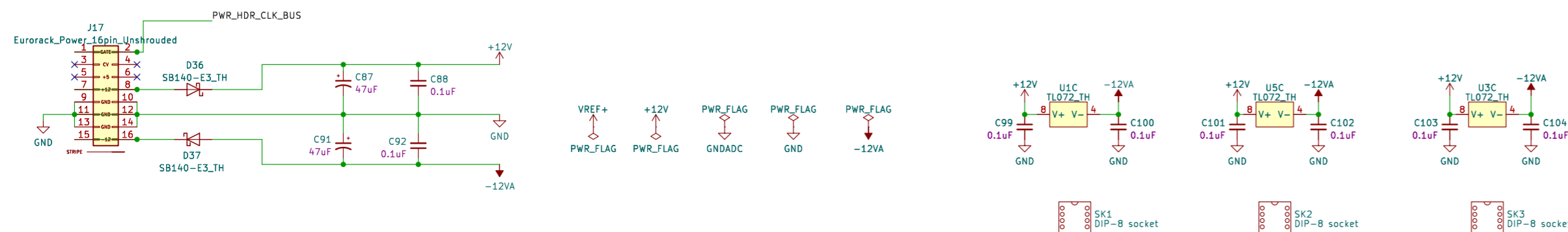
## Audio



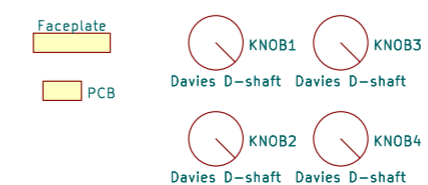
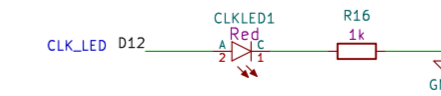
## Headers



## POWER



## LED



# 4ms Looping Delay Kit

Sheet: /  
 File: Kit-Looping Delay.kicad\_sch  
**Title:**  
 Size: A2 Date: Rev:  
 KiCad E.D.A. kicad 7.0.2-0 Id: 1/1